



# HYDRAULIC SCISSOR COMMERCIAL LIFT

*Great performance and the perfect choice  
for your commercial service.*



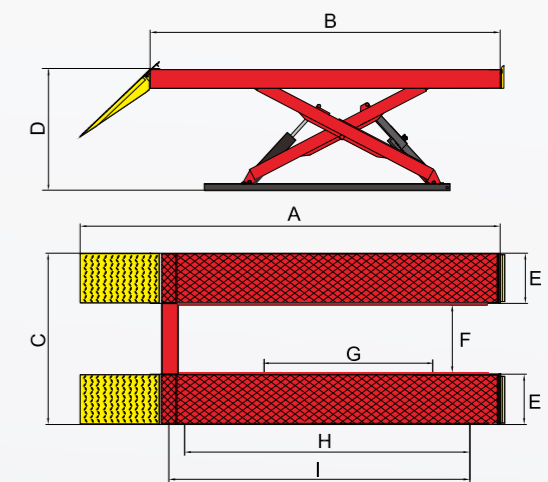
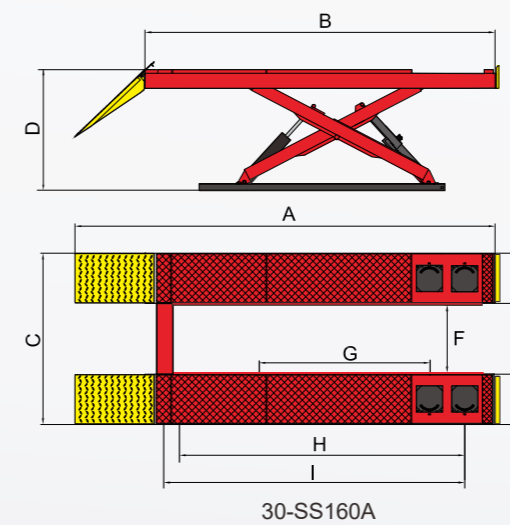
**30-SS160A**



SCISSOR LIFT

## SPECIFICATIONS

Model		30-SS160A		
Style		Alignment		
Lifting Capacity		16,000lbs (7300kg)		
Lifting Time		110S		
Overall Length (Inc. Ramps)	A	274 1/8" (6964mm)		
Overall Length (No Inc. Ramps)	B	213 3/4" (5428mm)		
Overall Width	C	94 1/8" (2390mm)		
Lifting Height	D	11 3/4-73 5/8" (300-1870mm)		
Runway Width	E	24 5/8" (625mm)		
Width Between Runway	F	41 5/8" (1055mm)		
Min. Four Wheel Align	G	98" (2490mm)		
Max. Four Wheel Align	H	184 1/2" (4680mm)		
Max. Two Wheel Align	I	190 1/2" (4840mm)		
Motor		2.0HP, 220V/60Hz, single phase		
Gross Weight		6,345lbs (2878kg)		



The Cartek Group  
6950 East N Avenue Kalamazoo, MI USA 49048  
ph: 866-550-1134 email: customerservice@cartek.com  
www.bear-cartek.com

## HYDRAULIC SCISSOR ALIGNMENT LIFT

*This heavy-duty scissor lift has the support of four cylinders and each dual cylinder are designed to work synchronously.*

- ✓ 2 dual synchronous cylinders are used to assure the optimal lifting level on both platforms.
- ✓ Electronic-air control system, which operates the self-locking safety mechanism.
- ✓ Heavy-duty design, the X serial scissor lift uses a 5 7/8" x 3" (150 x 75mm) tube to make it strong and assures the runways remain level during operation.
- ✓ Skid proof diamond platform provides traction for the tires to stay put.
- ✓ Optional rolling jacks:
  - J6H: 6,000 lbs with manual pump
  - J6A: 6,000 lbs with pneumatic pump
  - RJ-8A: 8,000 lbs with pneumatic pump
- ✓ More choices:
  - Optional turnplate Kits No. 40101 (30-SS160A)
  - Optional led lights Kits No. 40103001
  - Optional extension Kits No. PX001 (30-SS160A) /PX002 (30-SS1601A) /Optional airline Kits No. PX004



### FEATURES



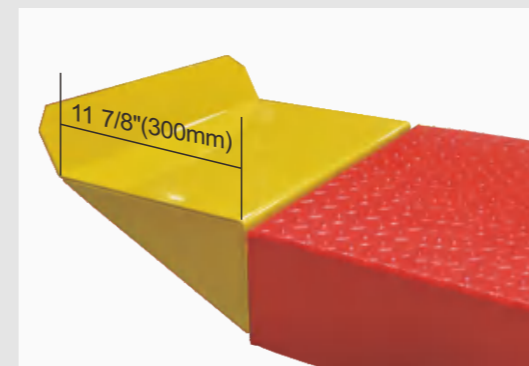
- Mechanical lock and air-driven safety release.



- Pull-out shelf for extra room allows more effective working environments



- Optional LED lights provide extra and efficient lighting for underneath the vehicle.  
Kits No.:40103001



- Optional extension kits to extend the platform 11 7/8" (300mm).  
Kits No.:PX003(30-SS160A)



- Optional airline kits. Easy and convenient installation for all models of rolling jacks with a pneumatic pump.  
Kits No.:PX004